



Elementix® |



# Elementix®

## The new range of clay rainscreens

Elementix® is an innovative and comprehensive range of new clay rainscreen cladding systems developed to offer an unrivalled choice in façade finishes.

**Elementix® Express** is a cost effective and quick to build system in a range of the most popular size formats, natural clay colours and surface finishes.

**Elementix® Freedom** removes the design constraints of standard panel formats allowing sizes to be specified to suit the building. In addition Elementix® Freedom has exceptional sustainability credentials.

**Elementix® Colour** offers a virtually unlimited palette of ceramic glazed finishes to make every project unique.

All Elementix® rainscreens have been engineered for speed of construction, durability and low maintenance and are tested to the CWCT\* standard. Components are predominantly UK-made for ready availability and supported by Ibstock's nationwide network of Design Advisors and Approved Installers.

Psychiatric Intensive Care Unit, Gloucester | Elementix® Colour - Glazed Finish | Copper

\* Centre for Window & Cladding Technology

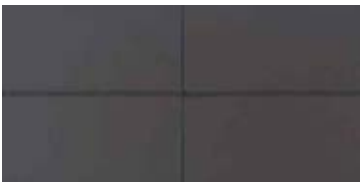
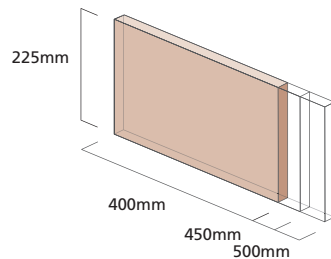
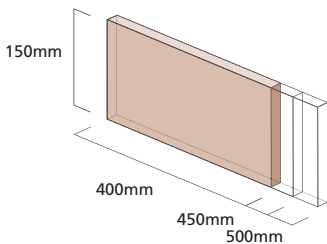
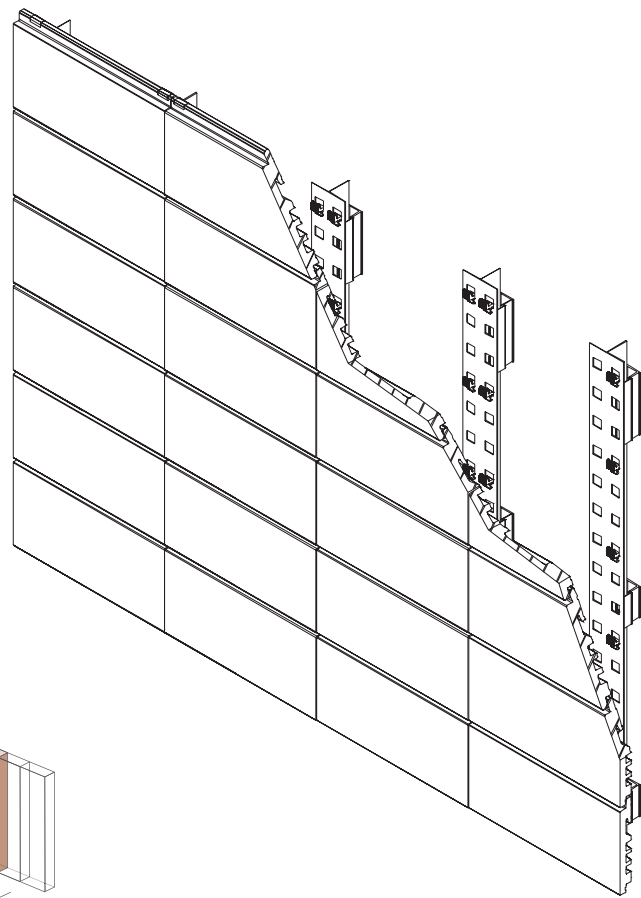
# Elementix<sup>®</sup> express

## terracotta rainscreen just got easier...

Elementix<sup>®</sup> Express has been engineered with the installer in mind to ensure ease and speed of construction. The range of natural clay colours and surface finishes adds definition and detailing to a façade in an instant.

### key features

- Quick and easy to install
- Minimal components for cost-effectiveness
- Matches Fireborn Natural colours



Natural Finish | Blue 5221



Natural Finish | Cream 5222



Natural Finish | Red 5220

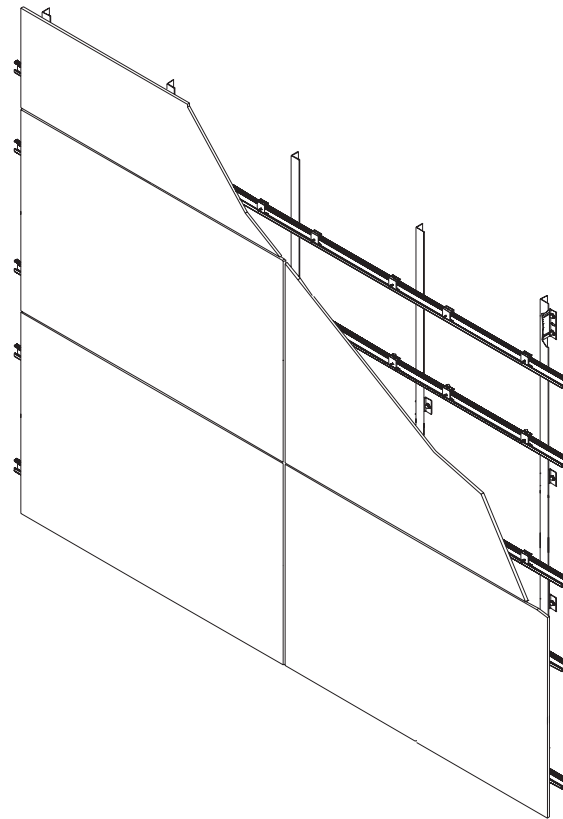
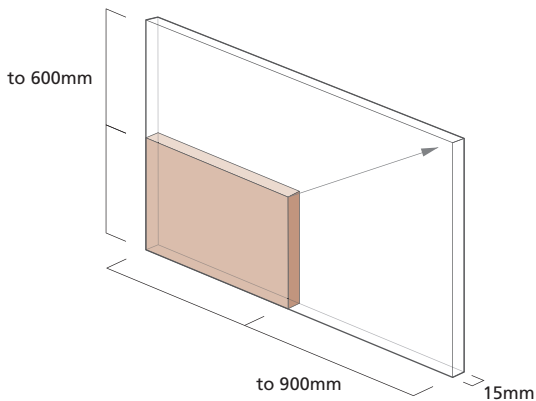
Size	Total System Weight	Tile Weight	Durability	Transverse Strength (Impact Resistance)	Water Absorption
400mm x 150mm	65Kg/m <sup>2</sup>	3.6Kg	Frost Resistant	Category E to BS 8200	< 8%
450mm x 150mm	65Kg/m <sup>2</sup>	4.0Kg	Frost Resistant	Category E to BS 8200	< 8%
500mm x 150mm	65Kg/m <sup>2</sup>	4.5Kg	Frost Resistant	Category E to BS 8200	< 8%
400mm x 225mm	65Kg/m <sup>2</sup>	5.4Kg	Frost Resistant	Category E to BS 8200	< 8%
450mm x 225mm	65Kg/m <sup>2</sup>	6.1Kg	Frost Resistant	Category E to BS 8200	< 8%
500mm x 225mm	65Kg/m <sup>2</sup>	6.8Kg	Frost Resistant	Category E to BS 8200	< 8%



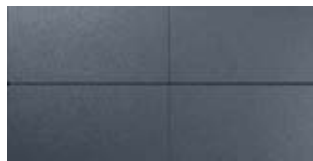
# Elementix® freedom

## the choice is yours...

Elementix® Freedom is a revolution in rainscreen cladding combining superb environmental credentials with flexibility in size and unique surface finishes for truly stunning buildings.



Cream 5552



Grey 5554



Slate 5555



Orange 5551



Silver 5553



Natural Finish | Mocha 5550



Natural Finish | Blue 5556 **NEW**

### key features

- Size flexibility
- Panels made from more than 90% recycled material
- Precise and durable ceramic tiles

Maximum Size	Total System Weight	Tile Weight (900mm x 600mm Tile)	Durability	Transverse Strength (Impact Resistance)	Water Absorption
900mm x 600mm	45Kg/m <sup>2</sup>	20Kg	Frost Resistant	E to BS 8200	< 3%

# Elementix® colour

## paint the town whatever colour you want...

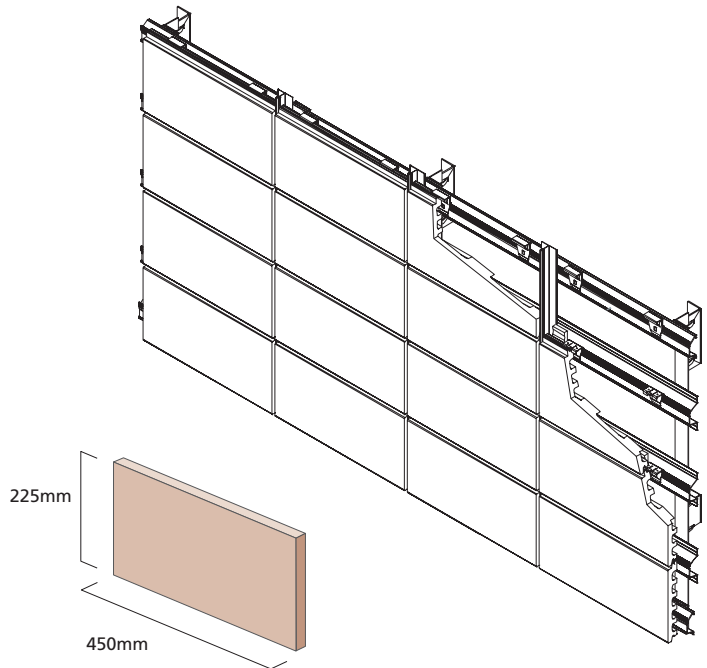
Elementix® Colour enables specifiers to design with colour from a virtually unlimited range of ceramic glazes in RAL colours. From vibrant gloss to satin pastels, every façade can now become special.



Natural Finish | Red 5200



Natural Finish | Cream 5201



Glazed Finish | Graphite 5205



Glazed Finish | Silver 5202



Glazed Finish | Cobalt 5204



Glazed Finish | Copper 5203



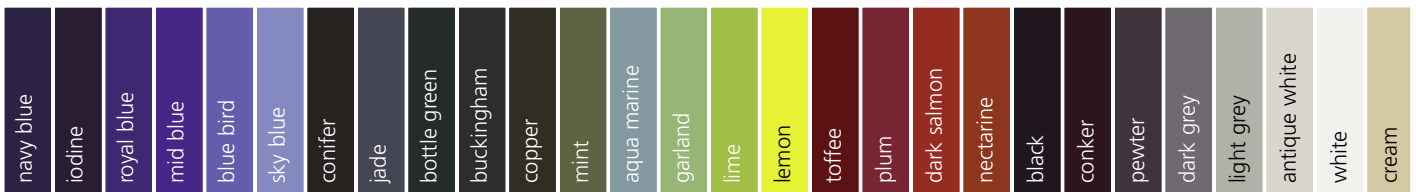
Glazed Finish | Bronze 5207



Glazed Finish | Gold 5206

### key features

- Matches other Ibstock glazed products such as glazed bricks and glazed Fireborn®
- Patented fixing system
- High strength, CERAM Building Technology endorsed for use at ground level



Size	Total System Weight	Tile Weight	Durability	Transverse Strength (Impact Resistance)	Water Absorption
450mm x 225mm	53Kg/m <sup>2</sup>	4.6Kg	Frost Resistant	Category E to BS 8200	< 3%